



SNS COLLEGE OF TECHNOLOGY

Coimbatore-36.

An Autonomous Institution



**Accredited by NBA – AICTE and Accredited by NAAC – UGC with ‘A+’ Grade
Approved by AICTE, New Delhi & Affiliated to Anna University, Chennai**

COURSE NAME : 23CST101-PROBLEM SOLVING & C PROGRAMMING

I YEAR/ I SEMESTER

UNIT – I INTRODUCTION TO PROBLEM SOLVING TECHNIQUES

Topic: Computer Hardware, Computer Software

Mrs.Papithasri K

Assistant Professor

Department of Computer Science and Engineering



Computer Hardware

- Input devices
- System unit
- Output devices
- Storage devices
- Processing Unit:
The CPU and
Main Memory



Luai M. Malhis

MyShared 4



Computer Hardware

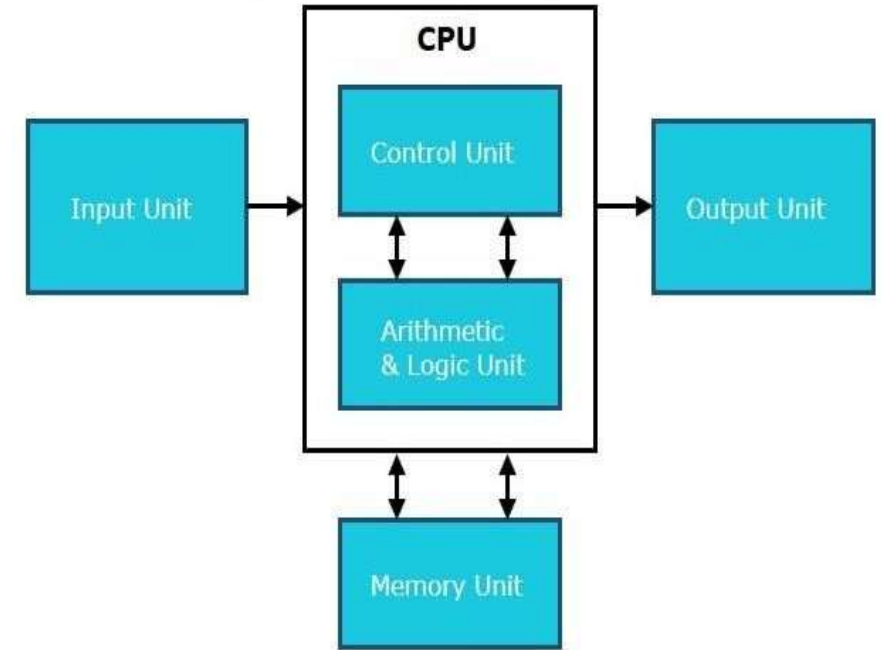


CPU(Central Processing Unit)

- CPU is considered as the brain of the computer.
- CPU performs all types of data processing operations.
- It stores data, intermediate results, and instructions (program)
- It controls the operation of all parts of the computer.

Components CPU:

- Memory or Storage Unit
- Control Unit
- ALU(Arithmetic Logic Unit)
 1. Arithmetic Section
 2. Logic Section



Processor



Input Devices

The Physical Parts of a Computer System which allows data to be entered into a Computer System

- Keyboard
- Graphics Tablet
- Touch-Sensitive Screen
- Mouse
- Microphone
- Digital Camera
- Digital Video Camera
- Webcam
- Trackball
- Trackpad
- Joystick
- Scanner





Output Devices

- An output device is a device which allows data to be displayed or passed out of a computer system
- Printers
 - Laser
 - Inkjet
- Monitor
 - Liquid Crystal Display
 - Thin Film Transistor
 - Cathode Ray Tube
- Plotter
- Load speaker
- Projector

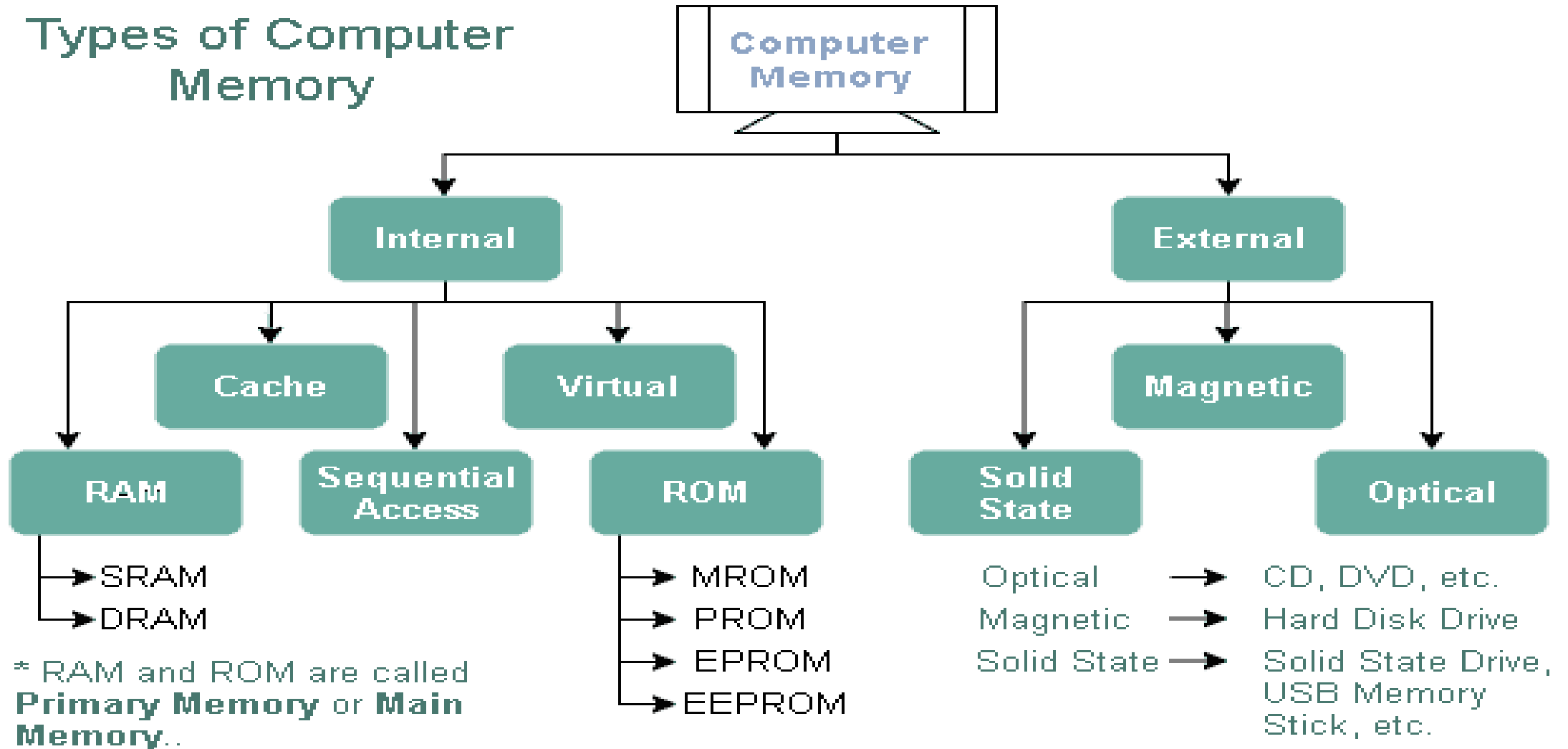




Computer Hardware



Types of Computer Memory



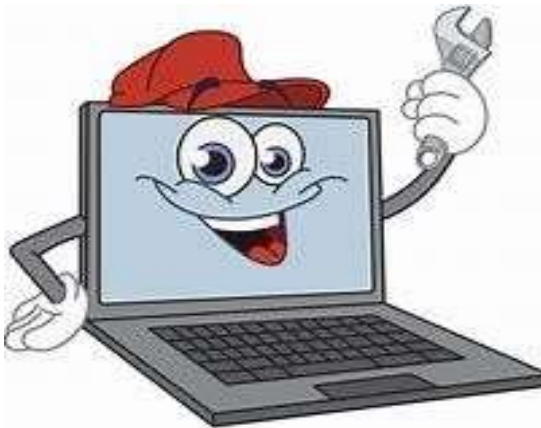


Computer Software

Computer Software is a set of programs, which is designed to perform a well-defined function. A program is a sequence of instructions written to solve a particular problem.

Two types of software –

1. System Software
2. Application Software



Types of Computer Software

Computer software or just software is a collection of computer programs and related data that provides the instructions for telling a computer what to do and how to do it. Any set of instructions that guides the hardware and tells it how to accomplish each task.

Systems Software

Application Software

GetupLearn.com

