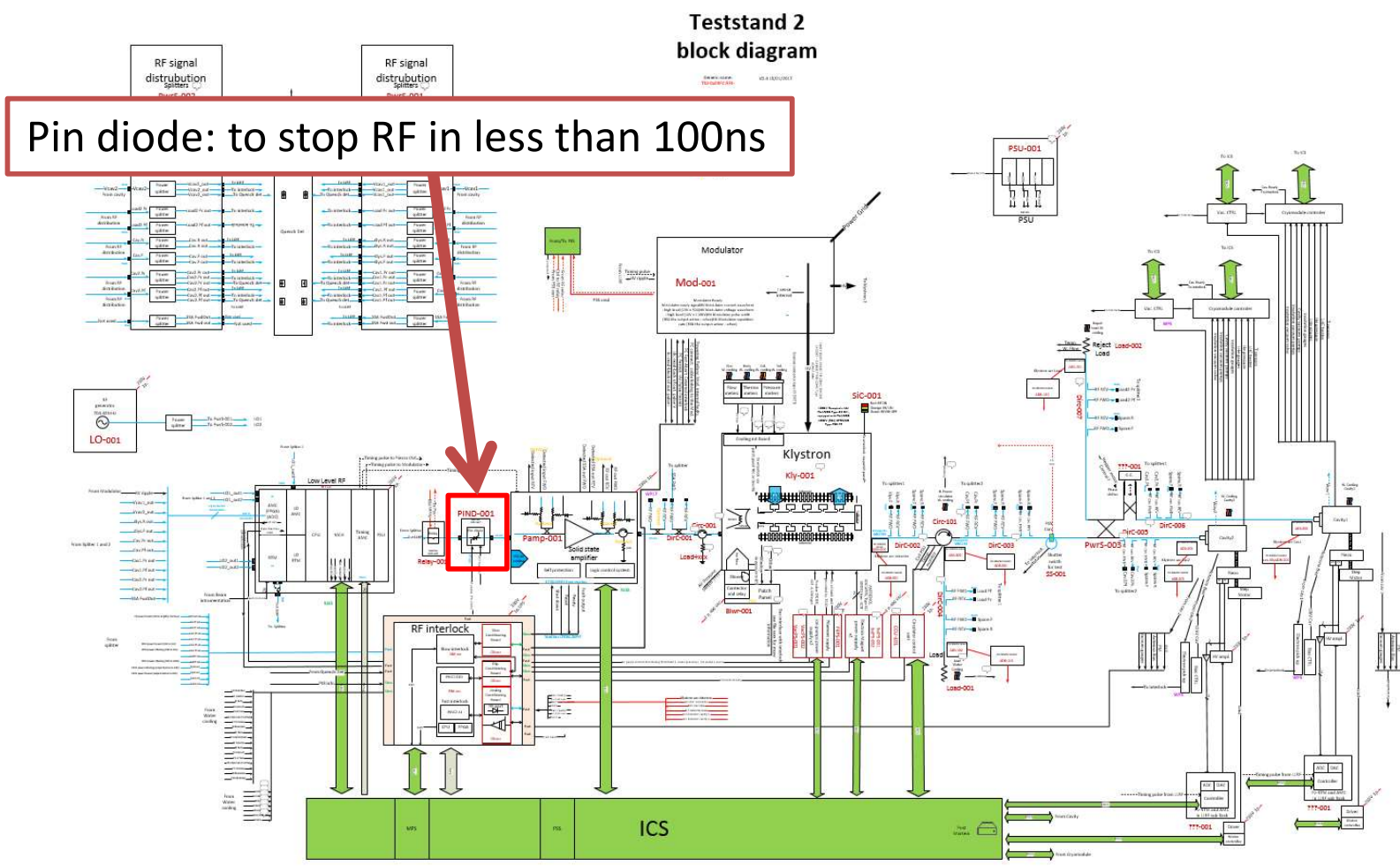


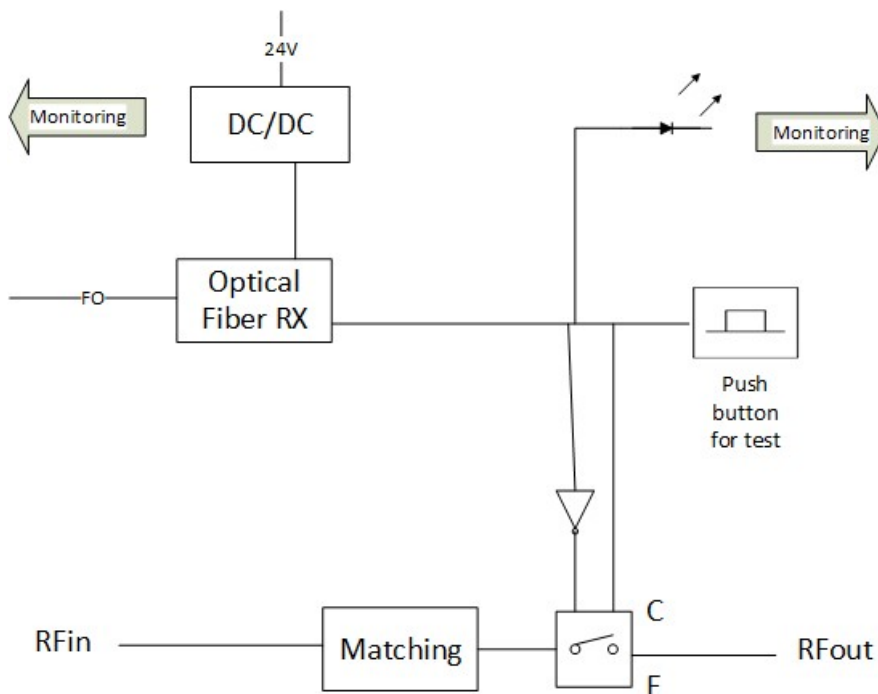
Pin diode presentation

Two small boards in RF system (but key part of interlock)



RF PIN diode with RX optical fiber receiver (1/2)

- Block diagram



	Description	Value			Unit
		Min	Typ	Max	
Frequency switching time	input Frequency		352/70 4		MHz
IL	Insertion Loss				20 ns
isolation	open state	30			2 dB
Isolation w/o VCC=0V	isolation when	30			dB
VSWR in	On state				1.3
VSWR out	On state				1.3
VSWR in	Off state				1.3
VSWR out	Off state				1.3
command	TTL		5		V
IP1dB	1dB compression point	12			dBm
Input power			0	20	dBm
power supply			5		V
consumption			10		mA

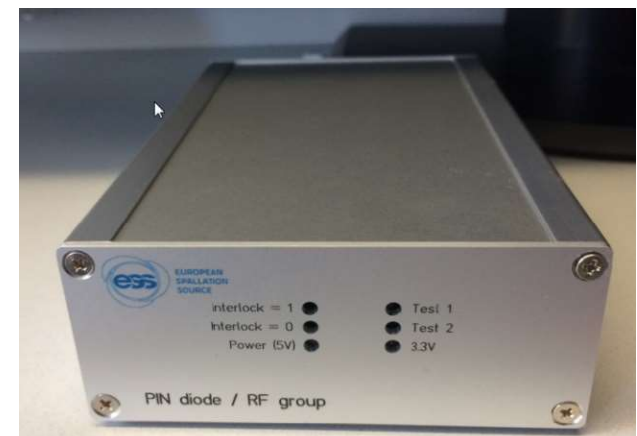
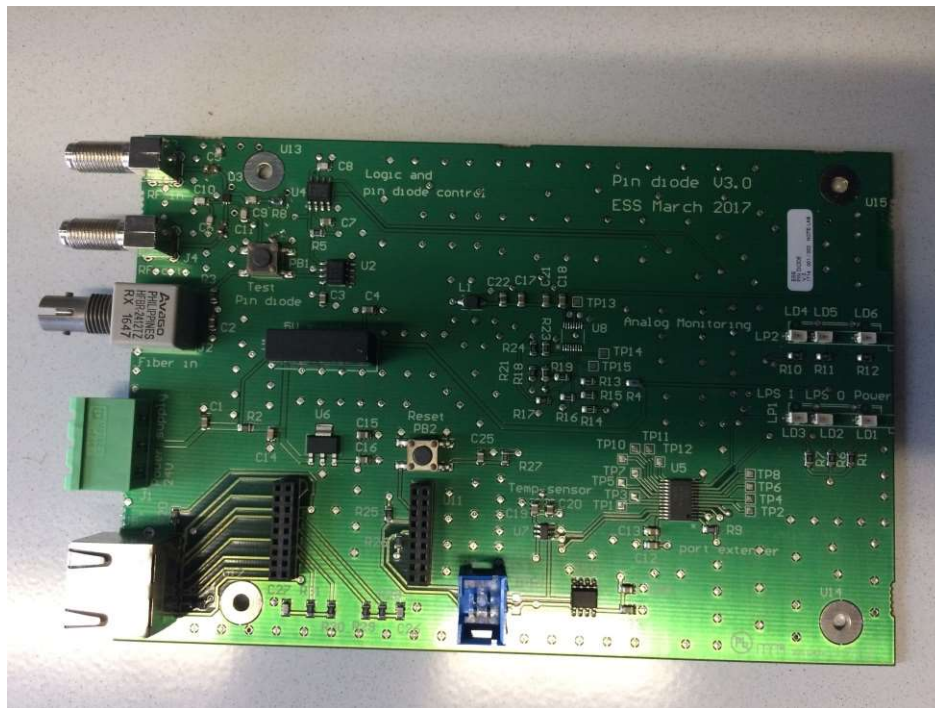
Specification

Interfaces:

- RF in / RF out: interface with RF path
- Fiber in: control of the PIN diode (from LPS)
- Power supply (24V)
- Ethernet connection (RJ45) monitoring to ICS

RF PIN diode with RX optical fiber receiver (2/2)

- Design done for TS2
- Design and manufacturing of the box for TS2 done



Front