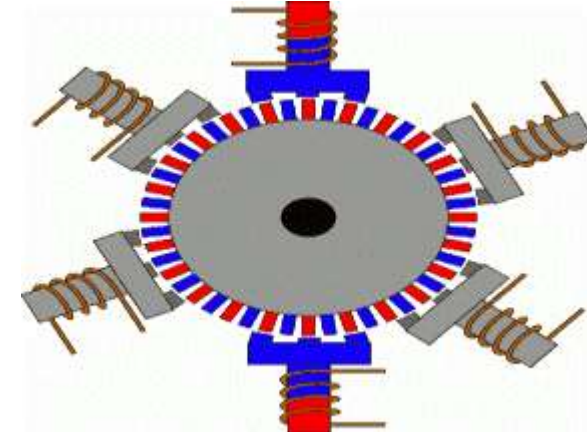
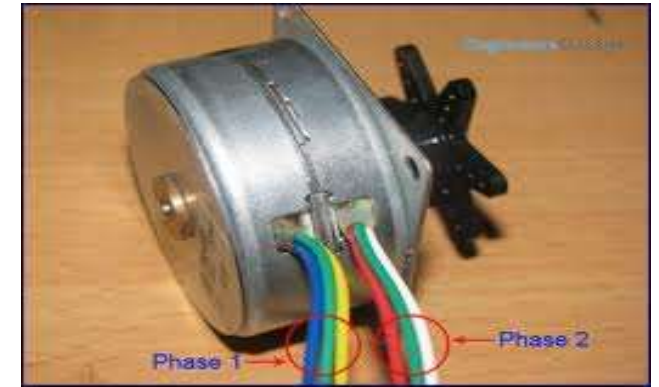
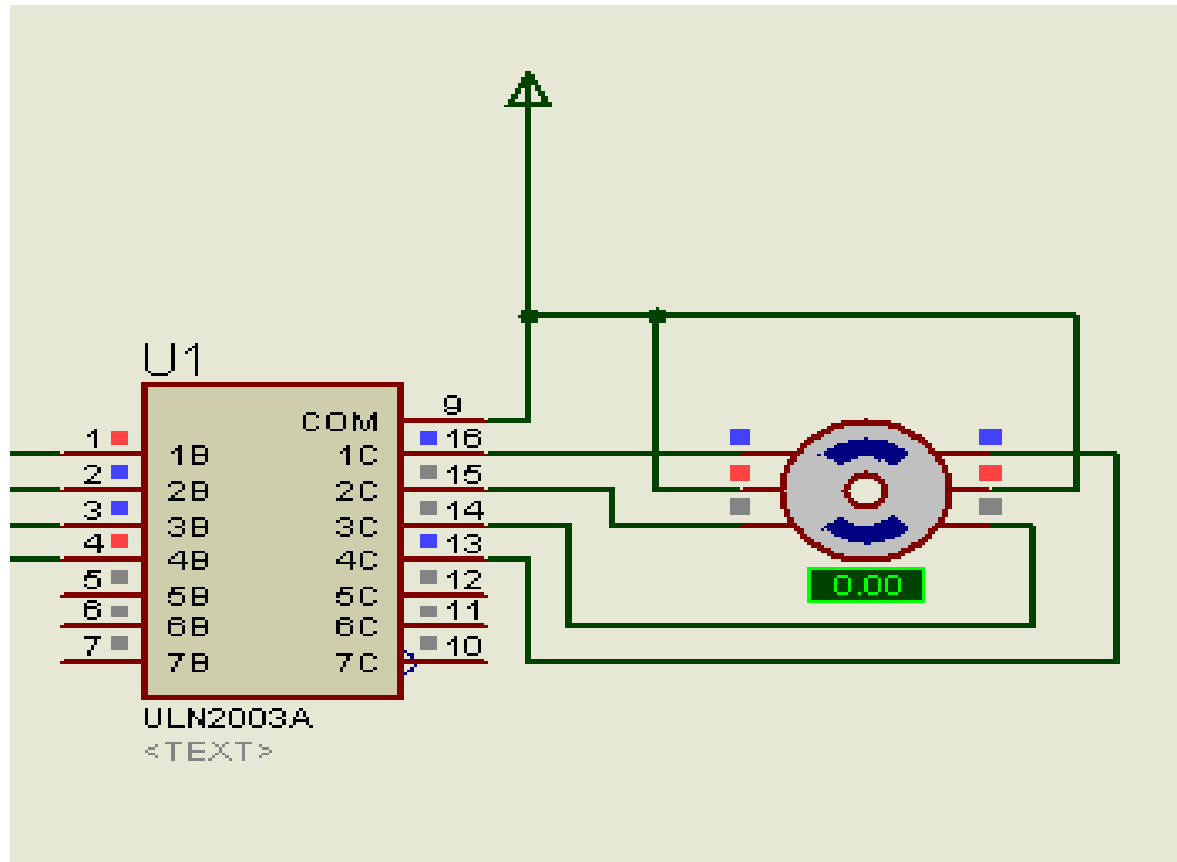
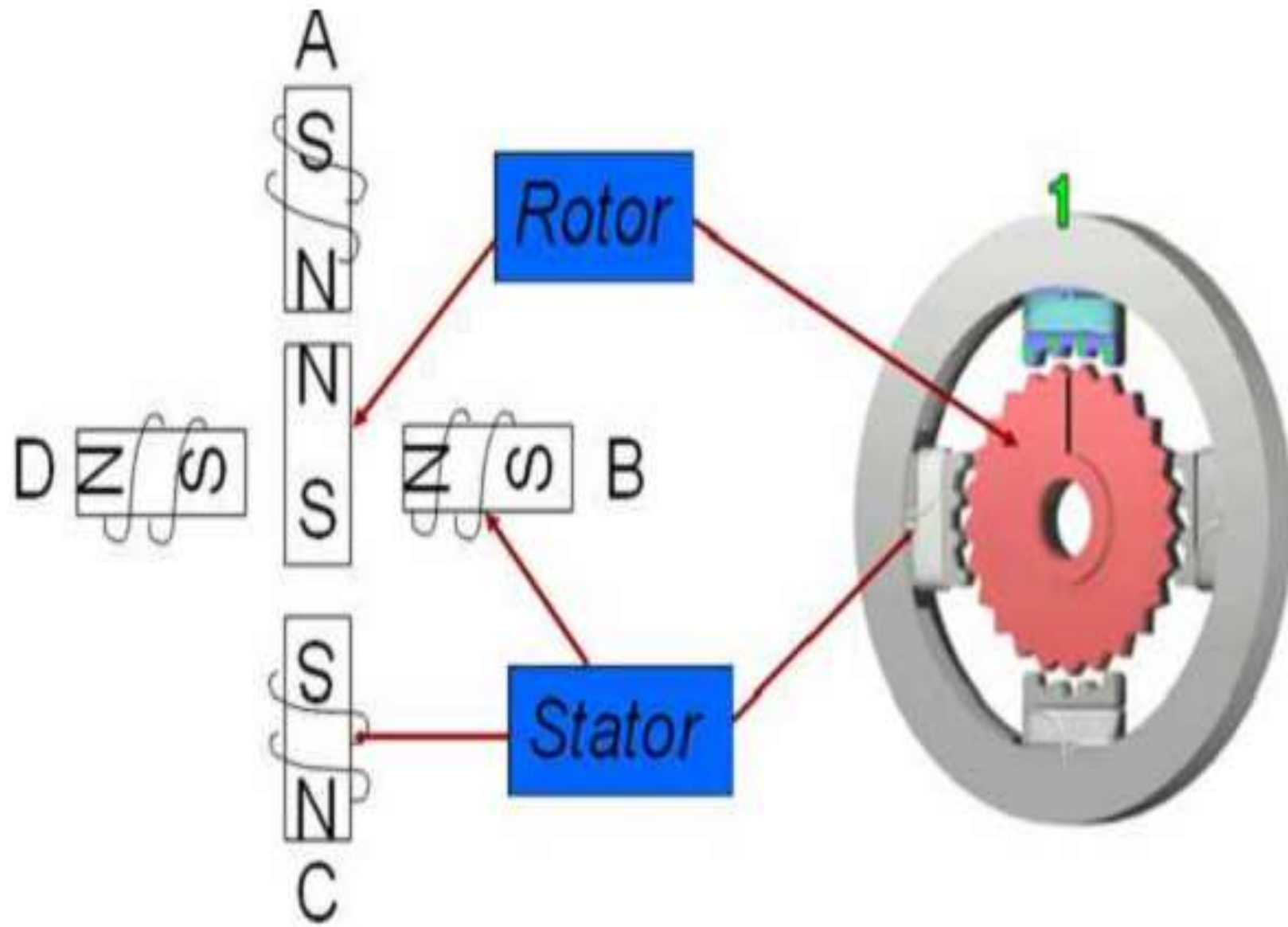


Stepper Motor Interfacing



Stepper Motor Interfacing

- Stepper motor is used in applications such as;
dot matrix printer, robotics etc
- It has a **permanent magnet rotor** called the shaft which is surrounded by a stator. Commonly used stepper motors have **4 stator windings**
- Such motors are called as **four-phase** or unipolar stepper motor.



Stepper Motor Interface

