



# GROUNDING OR EARTHING

- When there is adequate grounding, the excess current flow is removed, eliminating threats.
- In the absence of grounding, the excess current can pass through the human body, which is a good conductor thereby electrocuting you. This can cause severe damage and burns.
- To prevent this from happening, grounding is important.





# IMPORTANCE OF EARTHING



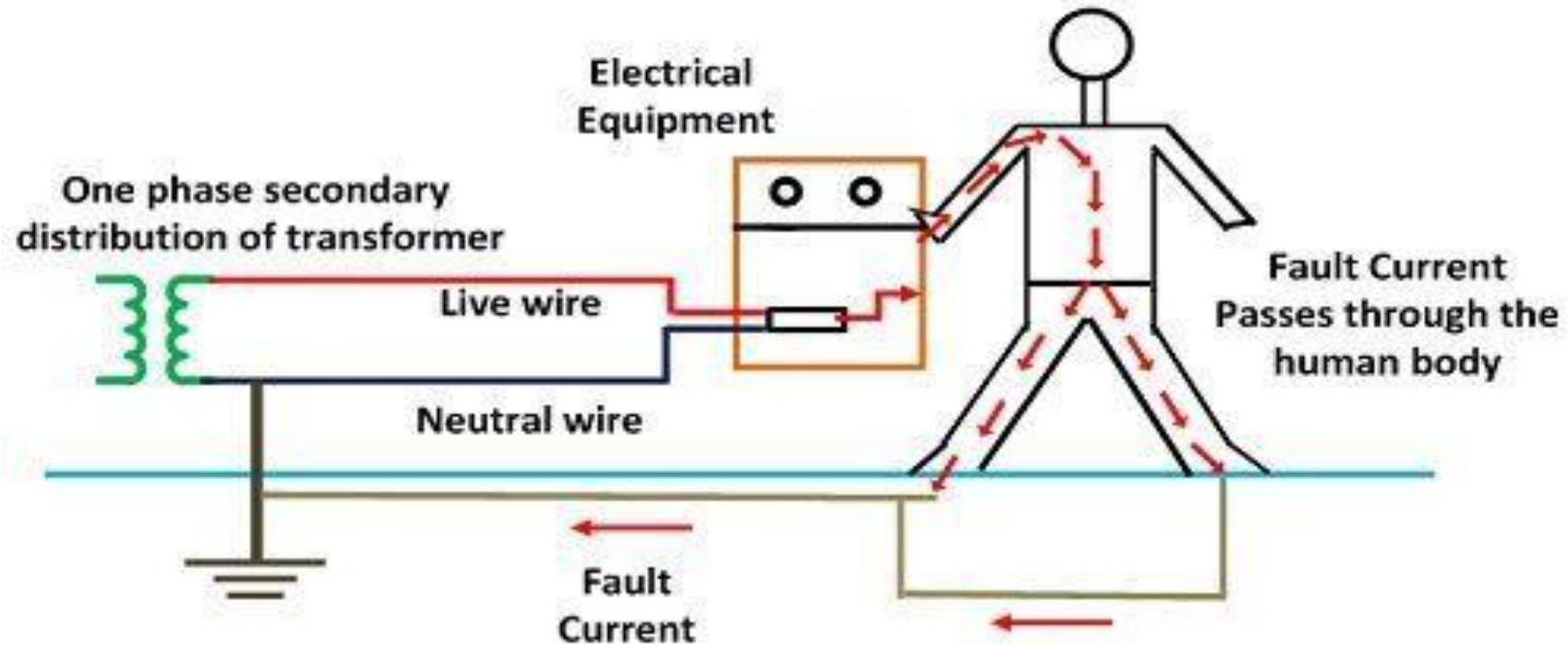
## Importance for Earthing

An Electrical equipment is considered dead when

- At or about zero potential
- Disconnected/ Isolated from live system
- Disconnection alone not adequate
  - Can retain stored charge
  - Can acquire a static charge
  - Can accidentally be made alive
  - Nearby live conductors may induce voltage



# IMPORTANCE OF EARTHING

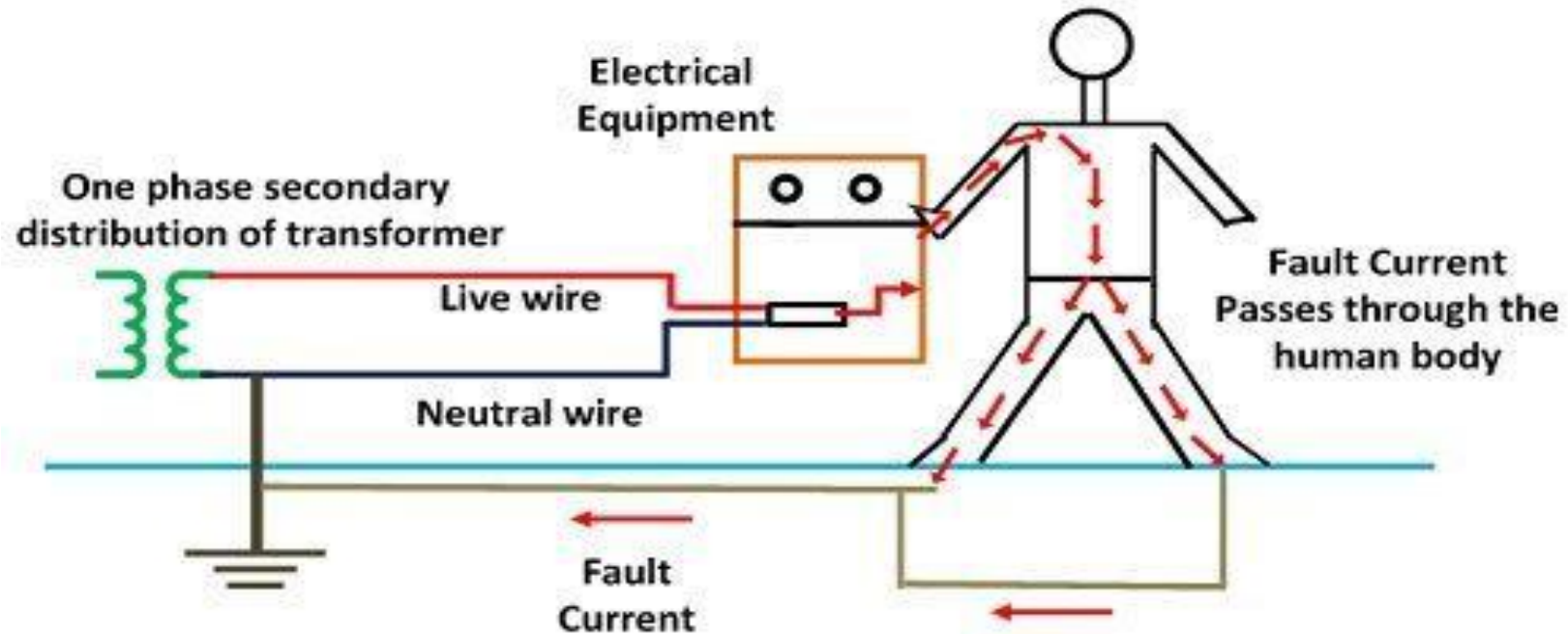


Electrical System Without Earthing

Circuit Globe



# IMPORTANCE OF EARTHING



Electrical System Without Earthing

Circuit Globe





# IMPORTANCE OF EARTHING

