



Dr. SNS RAJALAKSHMI COLLEGE OF ARTS & SCIENCE (Autonomous)

Coimbatore -641049



Accredited by NAAC(Cycle-III) with 'A+' Grade
(Recognized by UGC, Approved by AICTE, New Delhi and
Affiliated to Bharathiar University, Coimbatore)

DEPARTMENT OF GRAPHIC & CREATIVE DESIGN AND DATA ANALYTICS

**COURSE NAME : COMPUTER SYSTEM ARCHITECTURE
(23UCU402)**

I YEAR /I SEMESTER

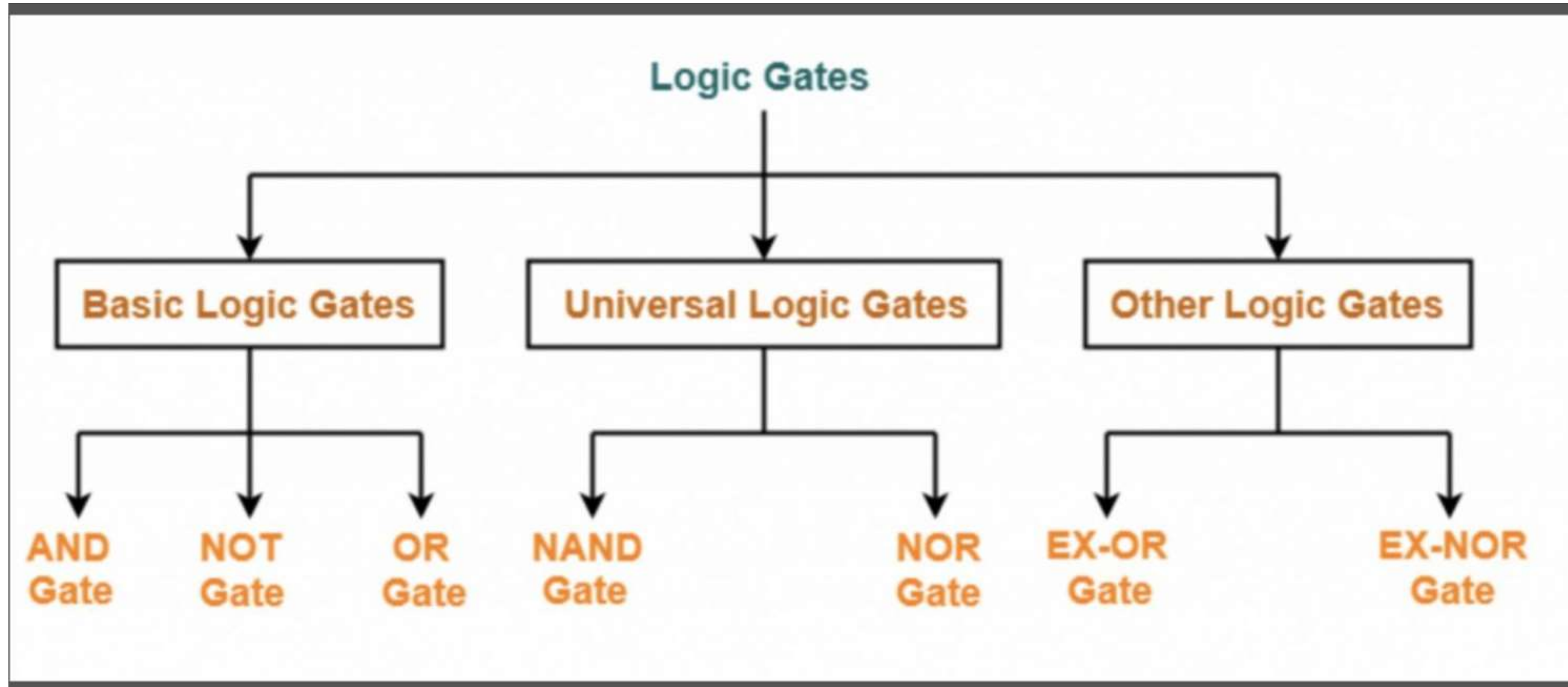
Unit II- LOGICAL GATES

Topic 1: Introduction to Gates

Gates Definition

- ✓ A logic gate is a device that acts as a **building block for digital circuits.**
- ✓ They perform basic **logical functions** that are fundamental to digital circuits.
- ✓ Logic gates are used to carry out logical operations on single or multiple binary inputs and give binary output.
- ✓ In simple terms, logic gates are the electronic circuits in a digital system.

Logical Gates Types



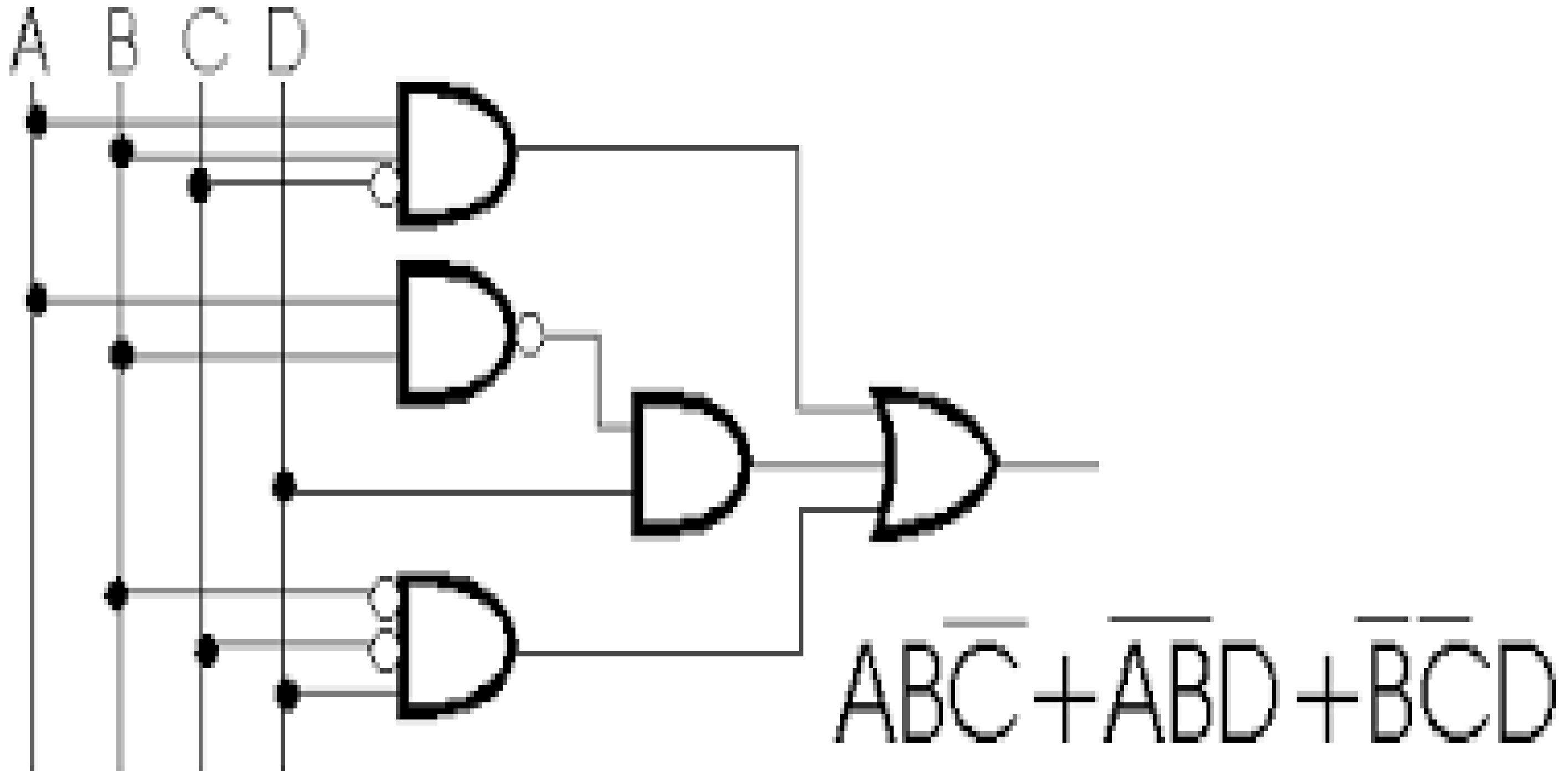
Logical Gates Types

Name	Graphic symbol	Algebraic function	Truth table															
AND		$F = x \cdot y$	<table border="1"> <thead> <tr> <th>x</th> <th>y</th> <th>F</th> </tr> </thead> <tbody> <tr><td>0</td><td>0</td><td>0</td></tr> <tr><td>0</td><td>1</td><td>0</td></tr> <tr><td>1</td><td>0</td><td>0</td></tr> <tr><td>1</td><td>1</td><td>1</td></tr> </tbody> </table>	x	y	F	0	0	0	0	1	0	1	0	0	1	1	1
x	y	F																
0	0	0																
0	1	0																
1	0	0																
1	1	1																
OR		$F = x + y$	<table border="1"> <thead> <tr> <th>x</th> <th>y</th> <th>F</th> </tr> </thead> <tbody> <tr><td>0</td><td>0</td><td>0</td></tr> <tr><td>0</td><td>1</td><td>1</td></tr> <tr><td>1</td><td>0</td><td>1</td></tr> <tr><td>1</td><td>1</td><td>1</td></tr> </tbody> </table>	x	y	F	0	0	0	0	1	1	1	0	1	1	1	1
x	y	F																
0	0	0																
0	1	1																
1	0	1																
1	1	1																
Inverter		$F = x'$	<table border="1"> <thead> <tr> <th>x</th> <th>F</th> </tr> </thead> <tbody> <tr><td>0</td><td>1</td></tr> <tr><td>1</td><td>0</td></tr> </tbody> </table>	x	F	0	1	1	0									
x	F																	
0	1																	
1	0																	

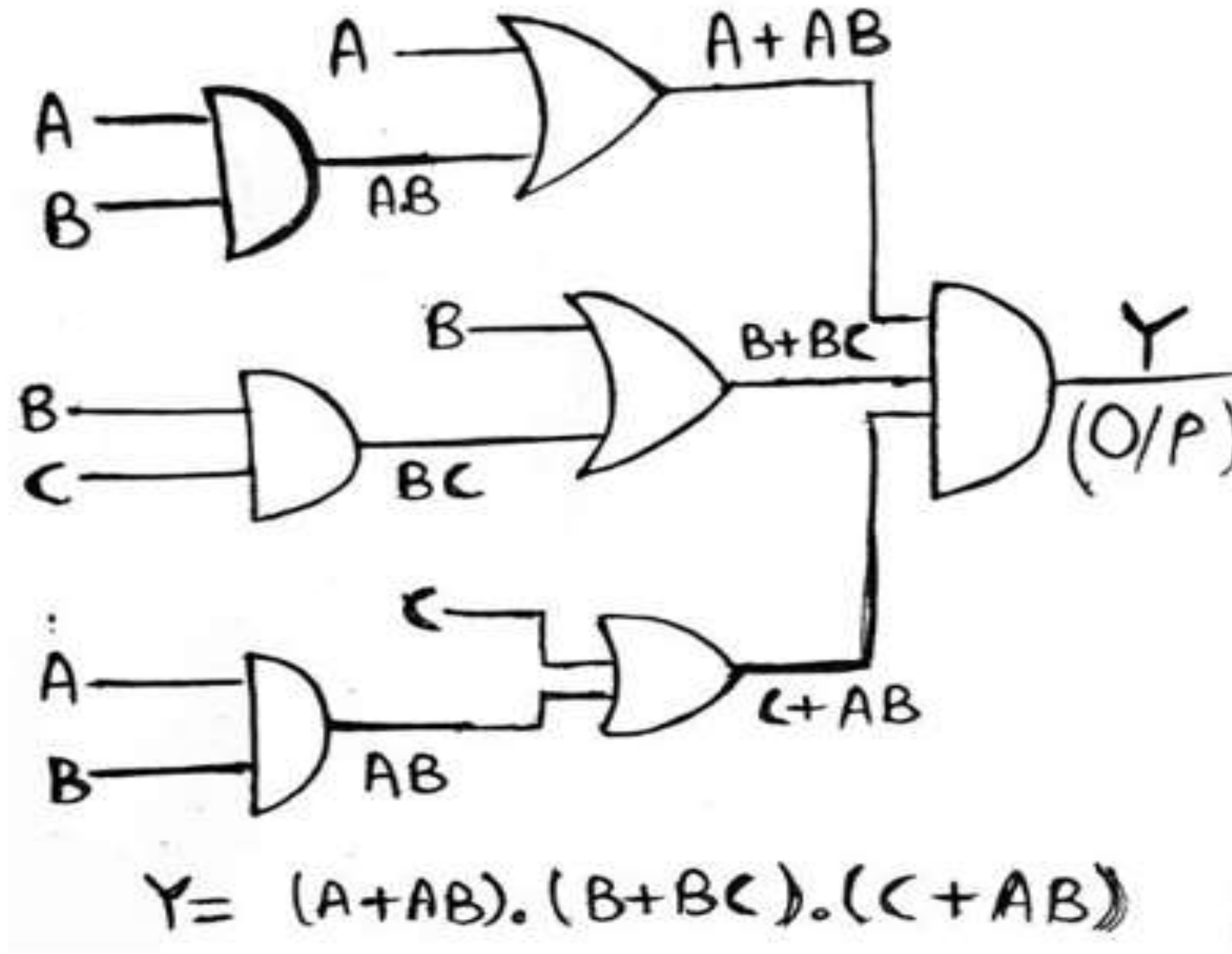
Logical Gates Types

Buffer		$F = x$	<table border="1"> <thead> <tr> <th>x</th> <th>F</th> </tr> </thead> <tbody> <tr> <td>0</td> <td>0</td> </tr> <tr> <td>1</td> <td>1</td> </tr> </tbody> </table>	x	F	0	0	1	1									
x	F																	
0	0																	
1	1																	
NAND		$F = (xy)'$	<table border="1"> <thead> <tr> <th>x</th> <th>y</th> <th>F</th> </tr> </thead> <tbody> <tr> <td>0</td> <td>0</td> <td>1</td> </tr> <tr> <td>0</td> <td>1</td> <td>1</td> </tr> <tr> <td>1</td> <td>0</td> <td>1</td> </tr> <tr> <td>1</td> <td>1</td> <td>0</td> </tr> </tbody> </table>	x	y	F	0	0	1	0	1	1	1	0	1	1	1	0
x	y	F																
0	0	1																
0	1	1																
1	0	1																
1	1	0																
NOR		$F = (x + y)'$	<table border="1"> <thead> <tr> <th>x</th> <th>y</th> <th>F</th> </tr> </thead> <tbody> <tr> <td>0</td> <td>0</td> <td>1</td> </tr> <tr> <td>0</td> <td>1</td> <td>0</td> </tr> <tr> <td>1</td> <td>0</td> <td>0</td> </tr> <tr> <td>1</td> <td>1</td> <td>0</td> </tr> </tbody> </table>	x	y	F	0	0	1	0	1	0	1	0	0	1	1	0
x	y	F																
0	0	1																
0	1	0																
1	0	0																
1	1	0																
Exclusive-OR (XOR)		$F = xy' + x'y$ $= x \oplus y$	<table border="1"> <thead> <tr> <th>x</th> <th>y</th> <th>F</th> </tr> </thead> <tbody> <tr> <td>0</td> <td>0</td> <td>0</td> </tr> <tr> <td>0</td> <td>1</td> <td>1</td> </tr> <tr> <td>1</td> <td>0</td> <td>1</td> </tr> <tr> <td>1</td> <td>1</td> <td>0</td> </tr> </tbody> </table>	x	y	F	0	0	0	0	1	1	1	0	1	1	1	0
x	y	F																
0	0	0																
0	1	1																
1	0	1																
1	1	0																
Exclusive-NOR or equivalence		$F = xy + x'y'$ $= (x \oplus y)'$	<table border="1"> <thead> <tr> <th>x</th> <th>y</th> <th>F</th> </tr> </thead> <tbody> <tr> <td>0</td> <td>0</td> <td>1</td> </tr> <tr> <td>0</td> <td>1</td> <td>0</td> </tr> <tr> <td>1</td> <td>0</td> <td>0</td> </tr> <tr> <td>1</td> <td>1</td> <td>1</td> </tr> </tbody> </table>	x	y	F	0	0	1	0	1	0	1	0	0	1	1	1
x	y	F																
0	0	1																
0	1	0																
1	0	0																
1	1	1																

Logical Diagram of Boolean Expression

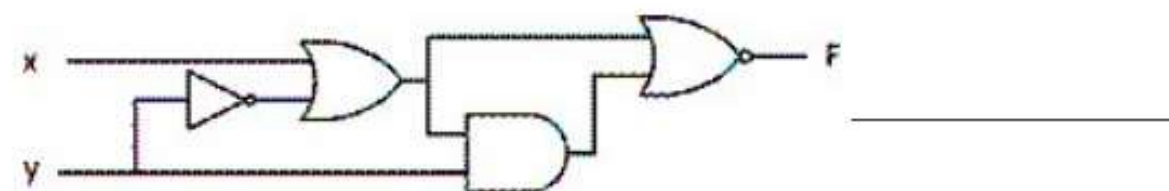
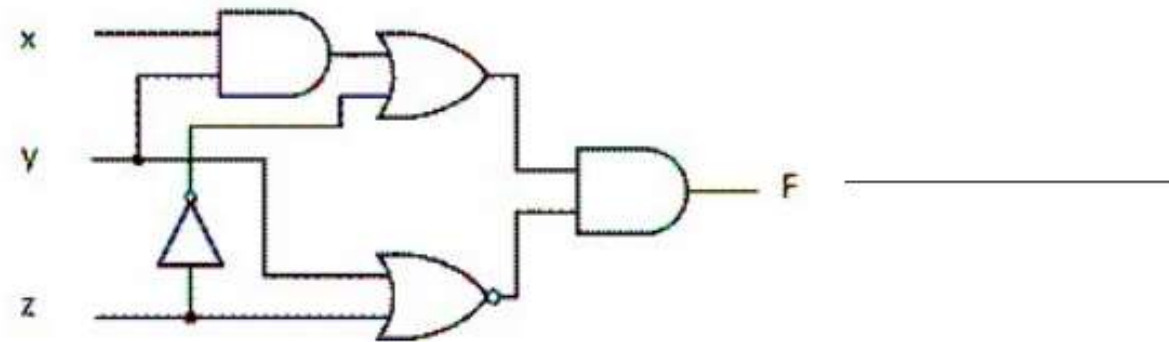
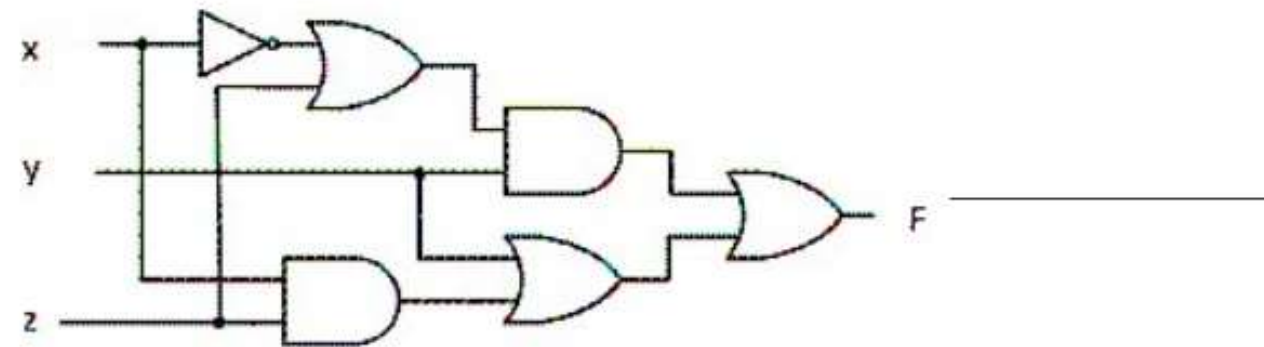
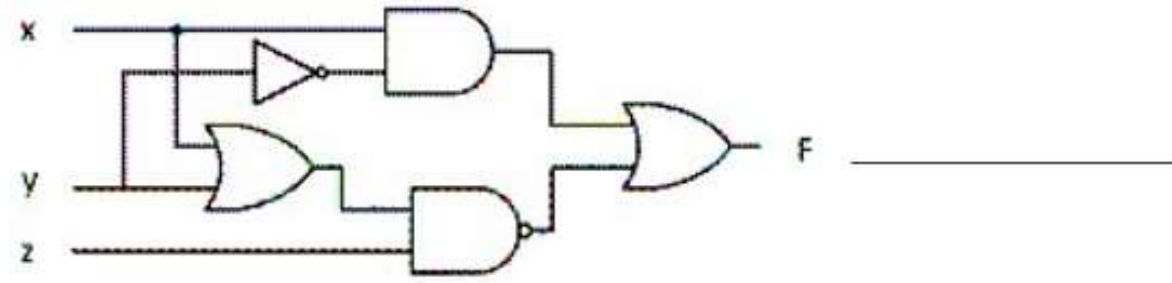


Logical Diagram of Boolean Expression



Assessment - Questions

Create a Boolean expression for the logic circuit shown in the diagram below?



1. CPU referred as **Central Processing Unit**
2. CPU is a Combination of **Control Unit**, **Arithmetic & Logical Unit** and **Memory Unit**
3. Example of Input device – **Keyboard, Scanner**
4. Example of Output Device – **Monitor, Printer**
5. **Digital** computers are used for mathematical and logical operations.
6. **Analog** computer has no state
7. **Digital** computers has discrete value



References

- 1.M.Morris Mano, “Computer System Architecture” 3rd Edition, Prentice Hall of India ,2000, ISBN-10: 0131663631
2. V.K. Puri, –DIGITAL ELECTRONICS CIRCUITS AND SYSTEMS” McGraw Hill Education (1 July 2017). ISBN-10: 9780074633175 , ISBN-13: 978-0074633175
- 3.William Stallings, “Computer Organization and Architecture, Designing for Performance” PHI/ Pearson Education North Asia Ltd., 10th Edition 2016, ISBN 978-0-13-410161-3 — ISBN 0-13-410161-8.

Thank You